



DU PONT
HANDEL EN MAATWERK

Camar sokkelpoten

Technische Fiche

■ KITCHEN LEVELERS WITH FRONT ADJUSTMENT FOR PLINTH H. 60 - 100MM

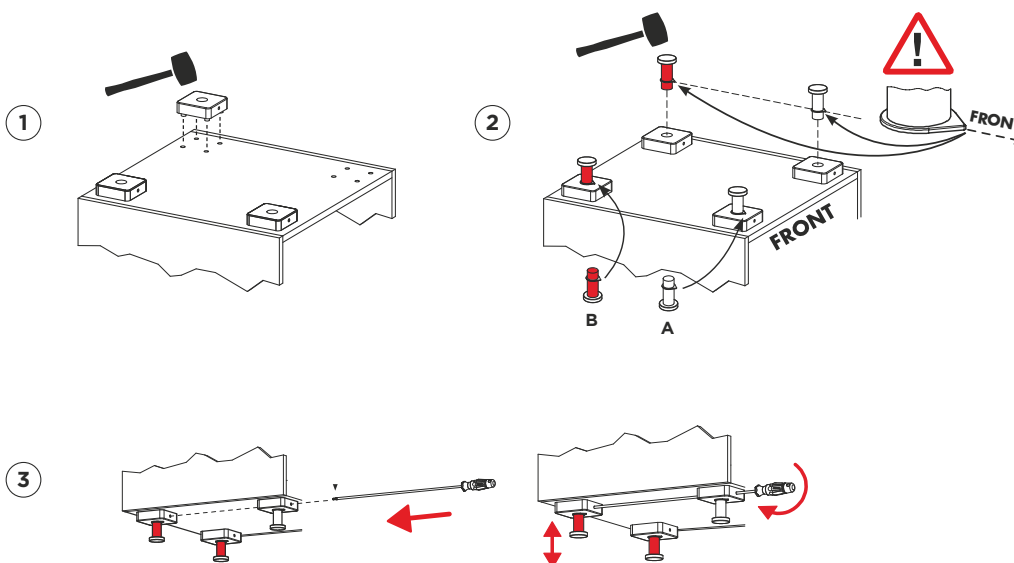
LEVELERS FOR PLINTH H. 60MM



ITEM	H (mm)	D1 (mm)	D2 (mm)	ADJUSTMENT (mm)	BOX
KL024.014.001	60	28	48	+ 20	50



_technical instruction



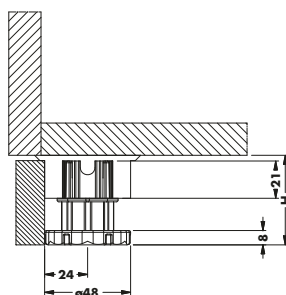


DU PONT
HANDEL EN MAATWERK

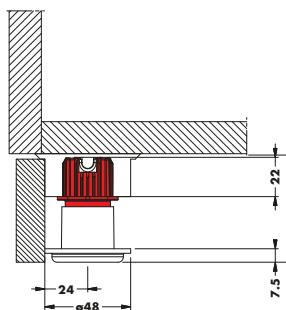
Camar sokkelpoten

Technische Fiche

_front leveler



_rear leveler



see accessories for levelers with front adjustment on pag. 60 - 61



RECTANGULAR BASE



TRIANGULAR BASE



CLIP



SCREWDRIVER L. 680MM



DU PONT
HANDEL EN MAATWERK

Camar sokkelpoten

Technische Fiche

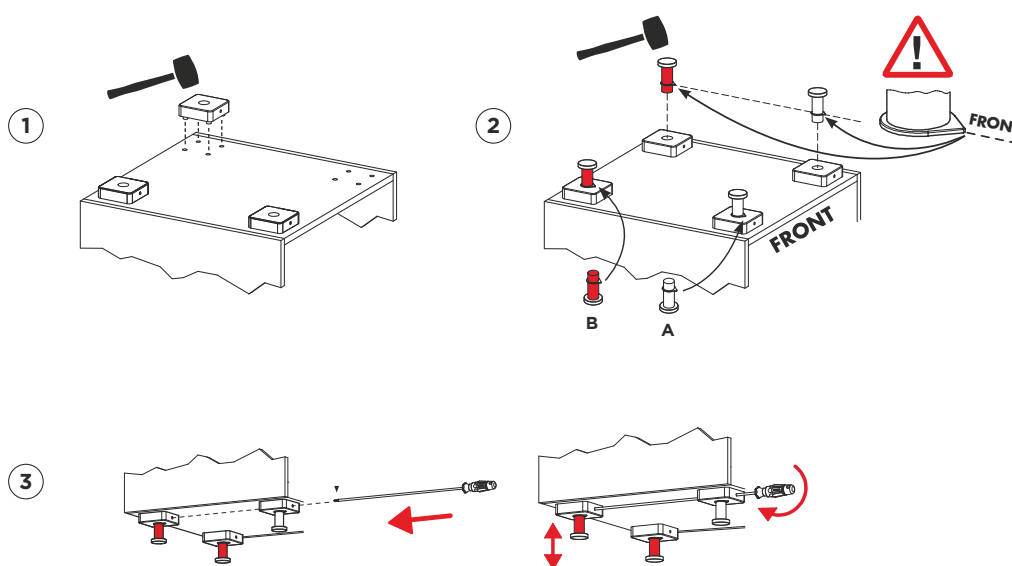
LEVELERS FOR PLINTH H. 80 - 100MM



ITEM	H (mm)	D1 (mm)	D2 (mm)	ADJUSTMENT (mm)	BOX
KLO24.014.002	80	28	48	+ 20 / - 5	50
KLO24.014.003	100	28	48	+ 20 / - 5	50



_technical instruction





DU PONT
HANDEL EN MAATWERK

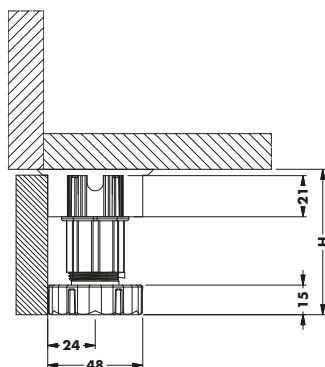
Camar sokkelpoten

Technische Fiche

_front leveler



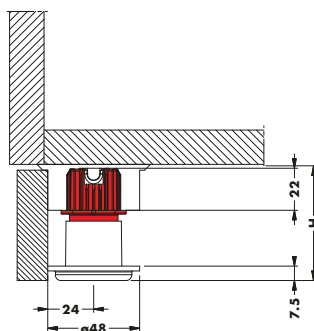
A



_rear leveler



B



see accessories for levelers with front adjustment on pag. 60 - 61



RECTANGULAR BASE



TRIANGULAR BASE



CLIP



SCREWDRIVER L. 680MM



DU PONT
HANDEL EN MAATWERK

Camar sokkelpoten

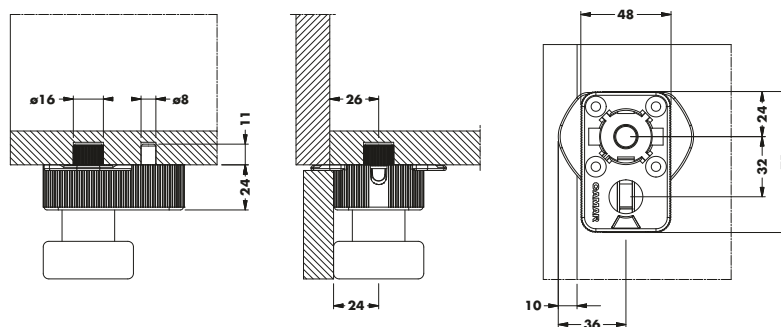
Technische Fiche

■ ACCESSORIES FOR LEVELERS WITH FRONT ADJUSTMENT FOR PLINTH H. 60 - 100MM

RECTANGULAR BASE



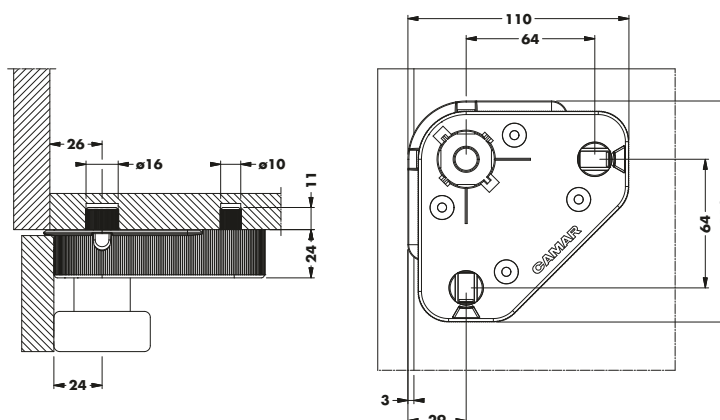
ITEM	BOX
KL024.009.004	400



TRIANGULAR BASE



ITEM	BOX
KL024.009.003	200





DU PONT
HANDEL EN MAATWERK

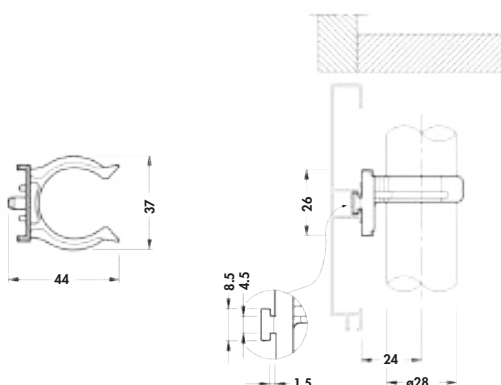
Camar sokkelpoten

Technische Fiche

CLIP



ITEM	BOX
KLO24.003.016	800



SCREWDRIVER L. 680MM



ITEM	LENGTH (mm)	BOX
KLO24.014.101	680	50

