



**DU PONT**  
HANDEL EN MAATWERK

# Regelbare sluitplaat AGB

Technische Fiche

performances

## MINIMAL PLUS XT

EXTREME ADJUSTMENTS, PERFECT CLOSING

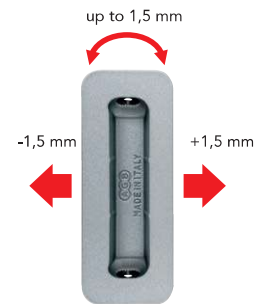
The installations on-site aren't a problem anymore!

**Minimal Plus XT** offers a range of extremely wide adjustments, to allow a correct door closing even when the installations are complicated.

Thanks to the notched part, **Minimal Plus XT** is adjustable up to  $\pm 1,5$  mm obtaining several intermediate positions. If 3 mm aren't enough, turning the cover tray, you can avail other 1,5 mm.

The producer is free of after-sales requests, due to the most common problems during installation.

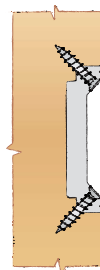
UP TO 4,5 MM  
ADJUSTMENT



Wide adjustments  
even when the striker  
is already installed.

design

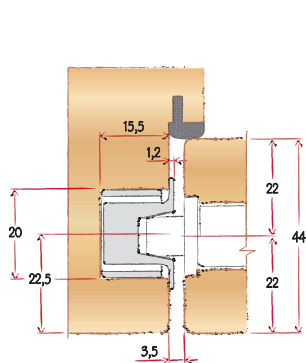
Minimalist and linear design, the **Minimal Plus XT** striker is very discreetly installed on the door frame.



Fixed by means of the  
patented AGB system with  
3,5 mm screws hidden within  
the striker niche.

applications

 Example of flush application with  
Polaris 2XT & Revolution XT



 Example of rebated application with  
Mediana Evolution, Polaris 2XT,  
Revolution XT

